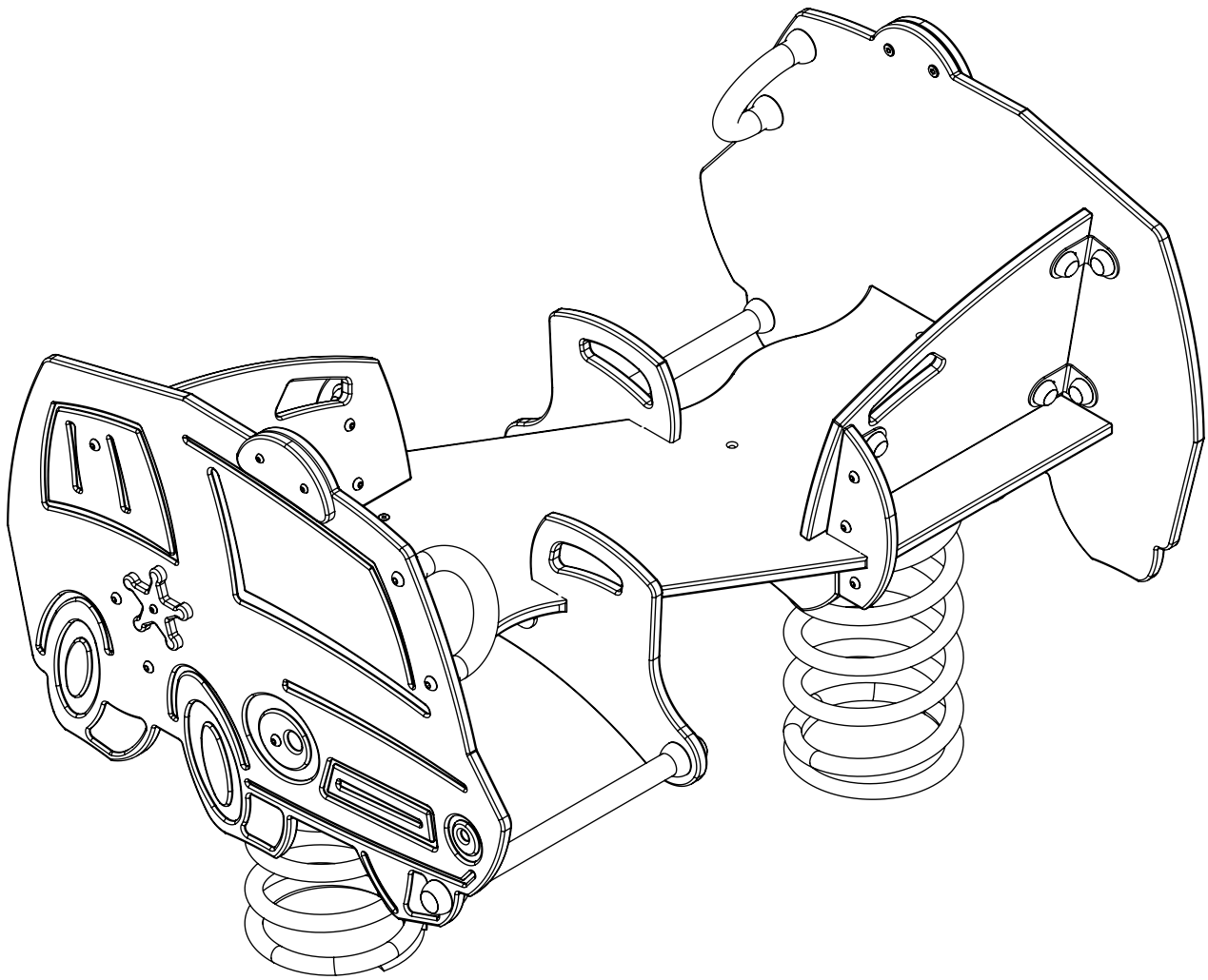
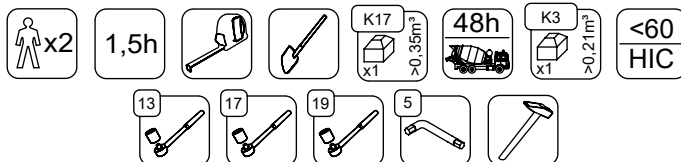


# 0630

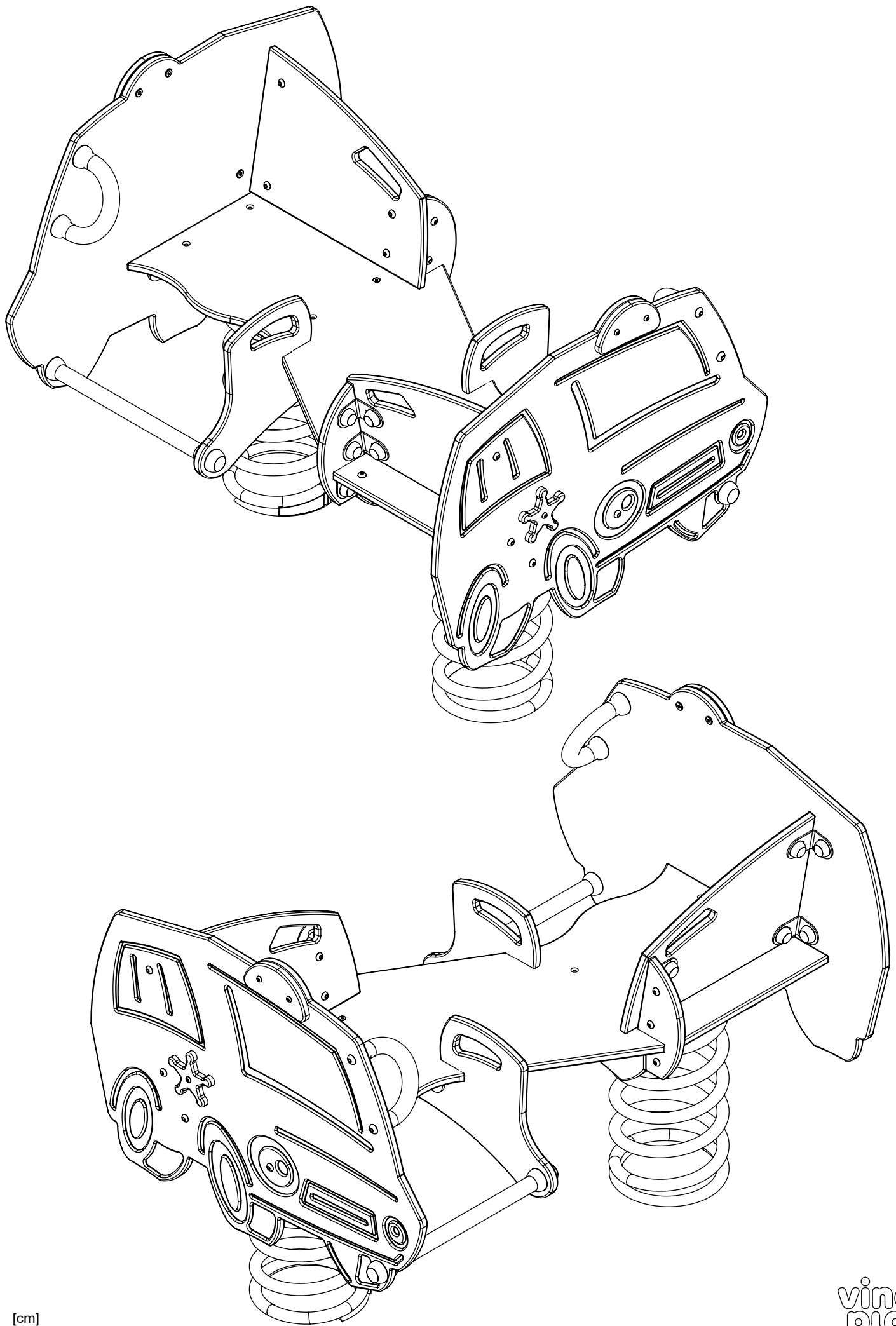


[cm]

v010  
12.08.2020  
A. K.

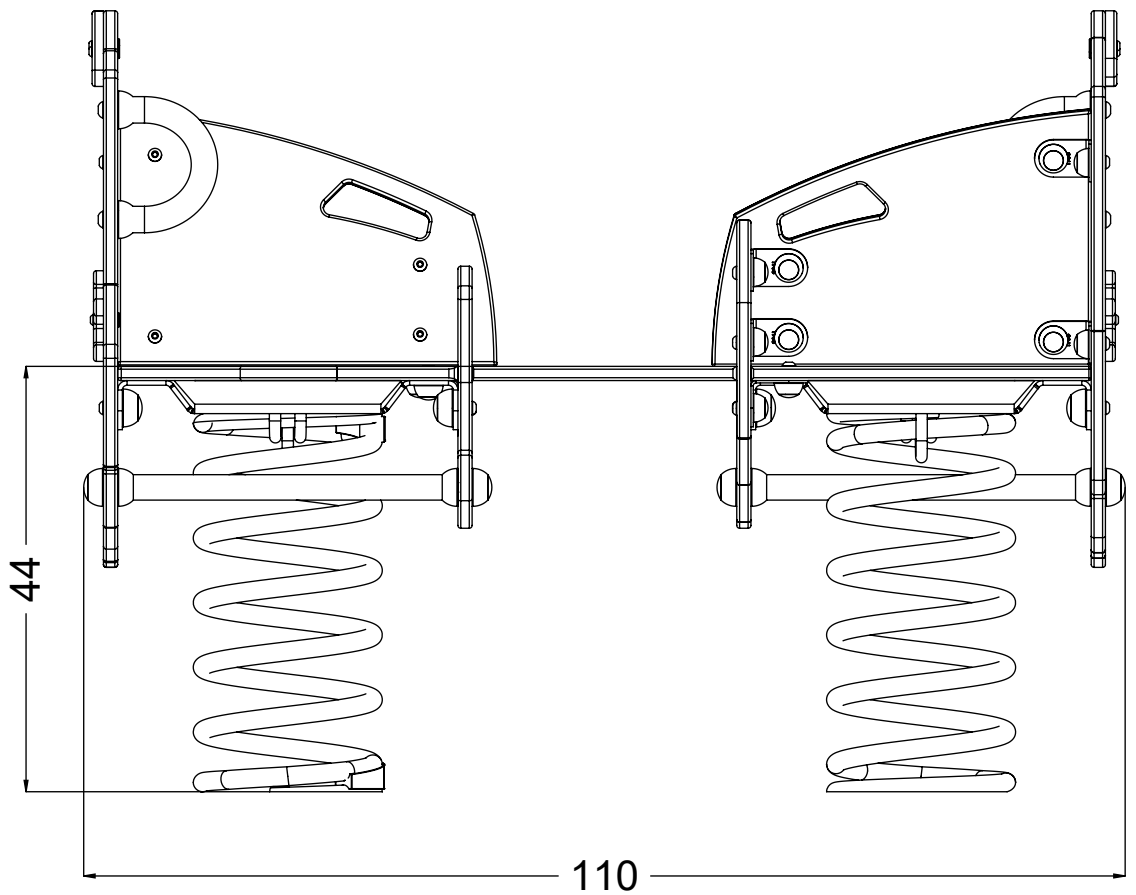
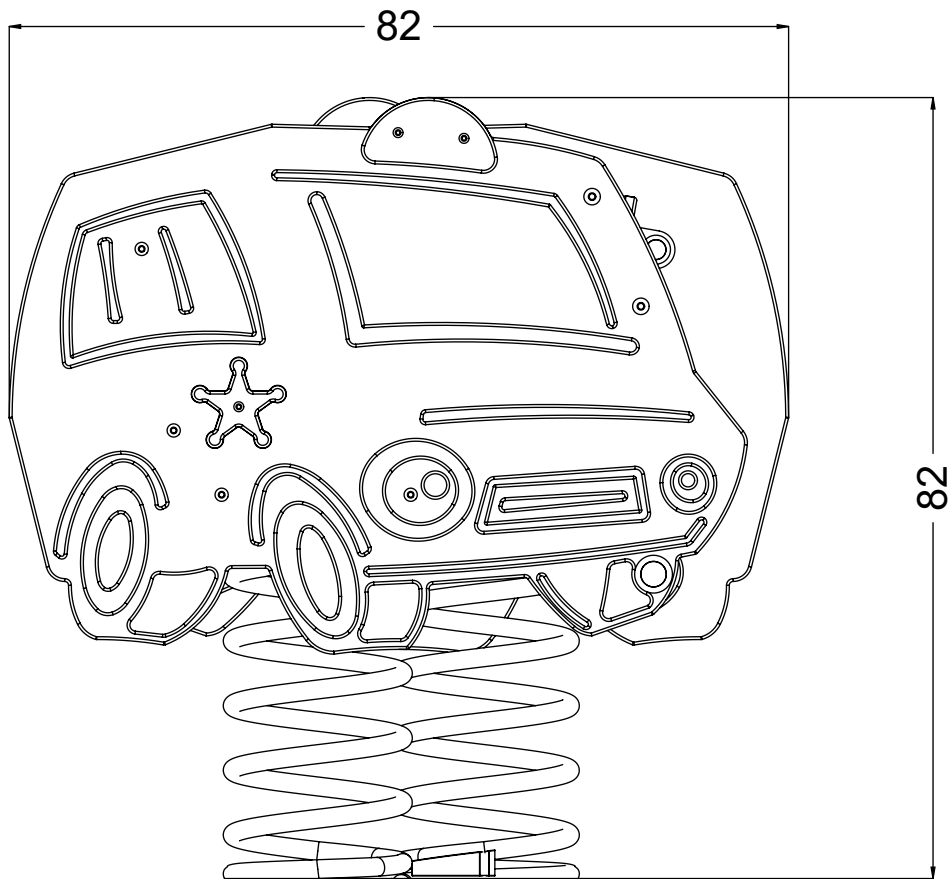


vinci  
play

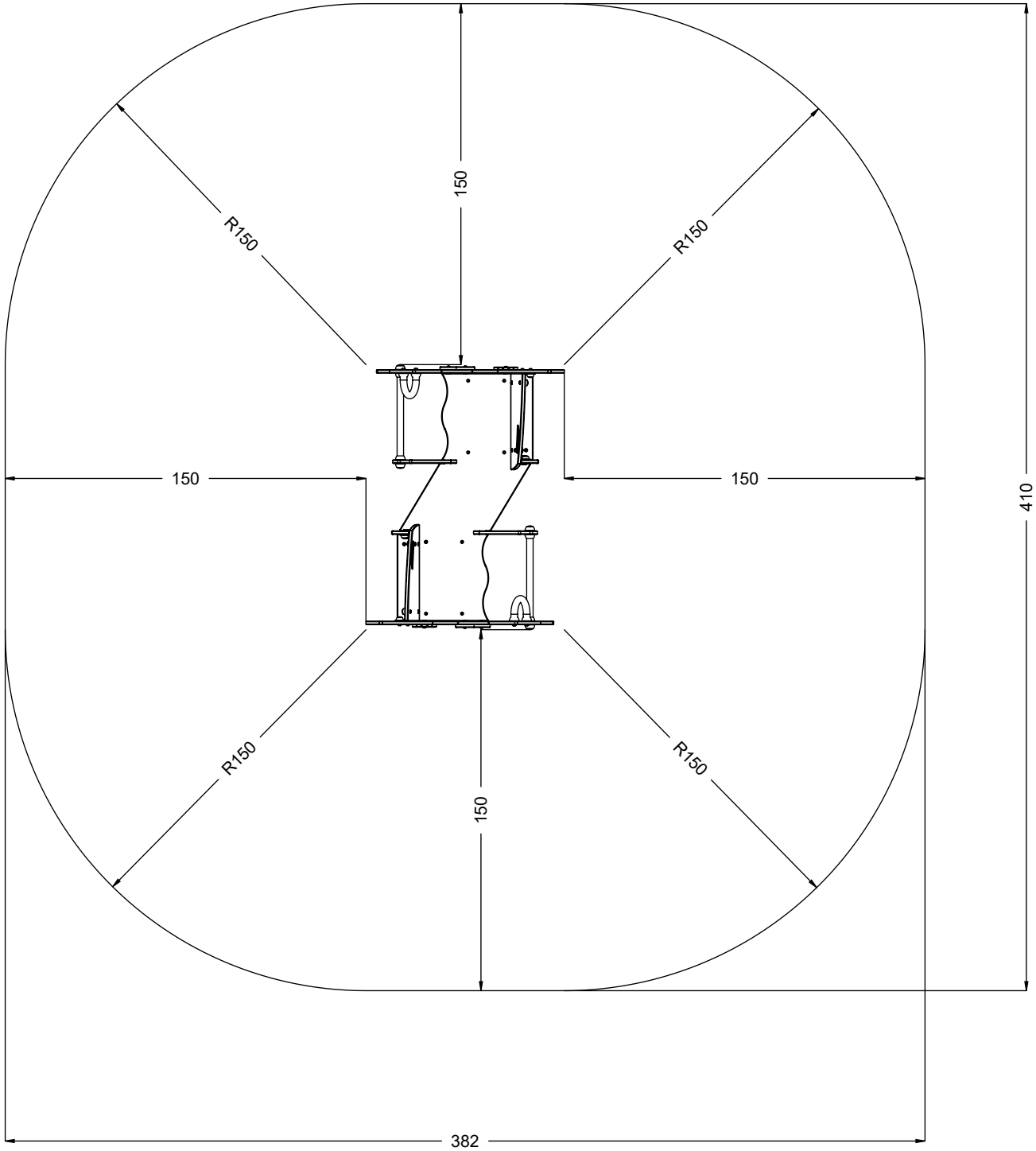


[cm]

vinci  
play

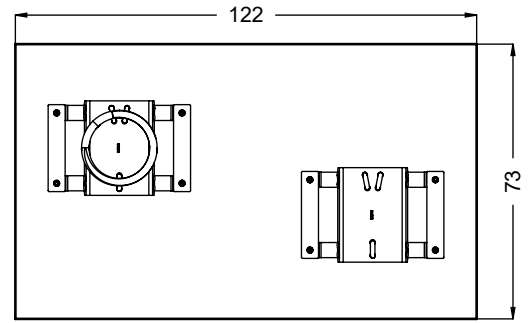
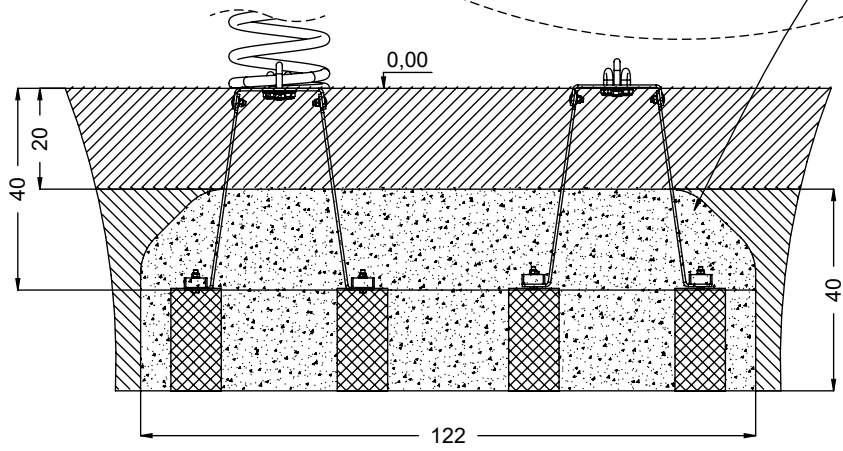
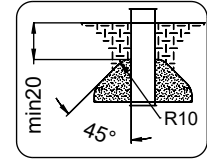
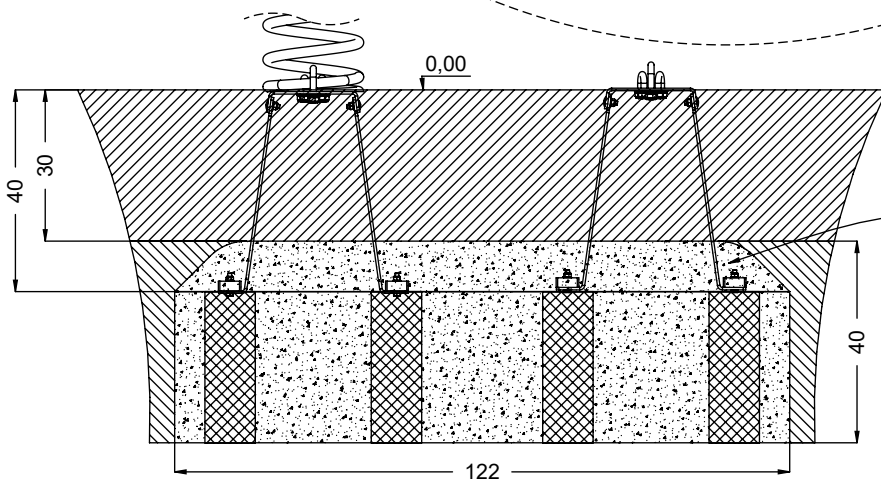


[cm]






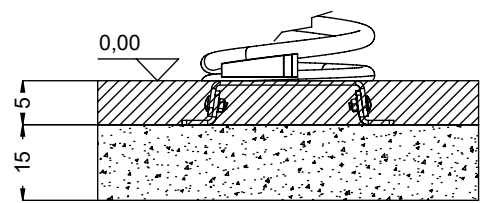
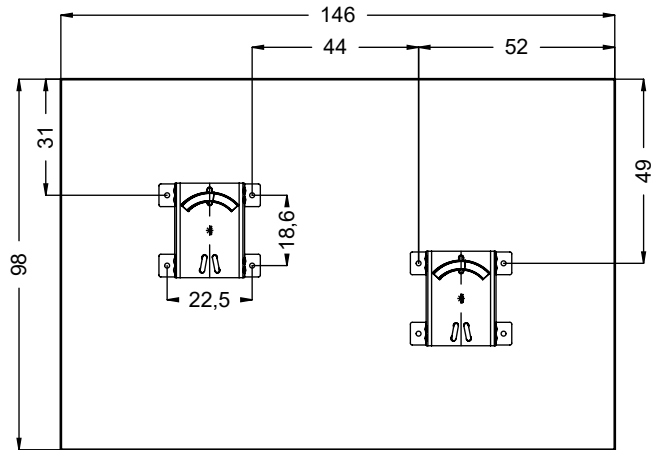
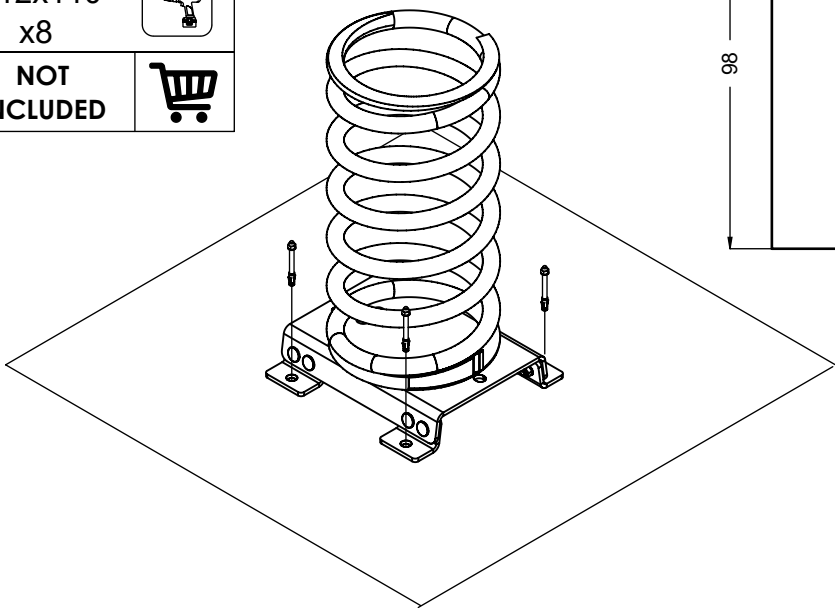
[cm]

# K17



# K3

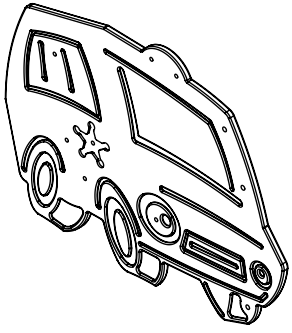
	<b>K3</b>
M12x110 x8	
<b>NOT INCLUDED</b>	



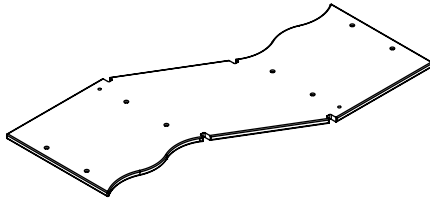
[cm]

 x2	1,5h			 K17 x1 >0,35m <sup>3</sup>	 48h	 K3 x1 >0,21m <sup>3</sup>
--	------	---	---	---	---	---

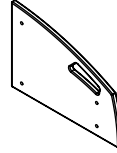
vinci  
play



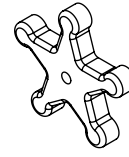
061209  
x2



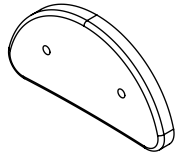
061213  
x1



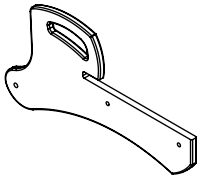
061211  
x2



141177  
x2



141180  
x2



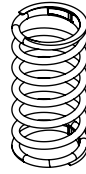
061210  
x2



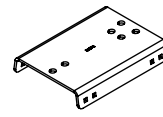
061212  
x2



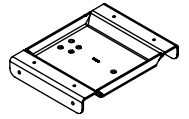
086104  
x2



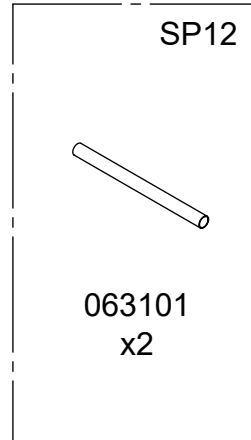
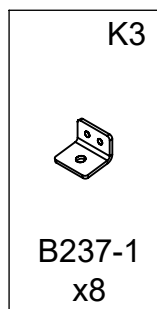
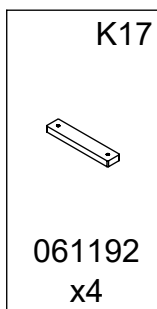
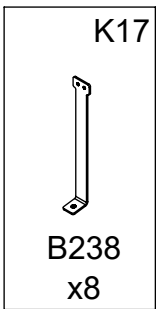
996171  
x2



B239  
x2

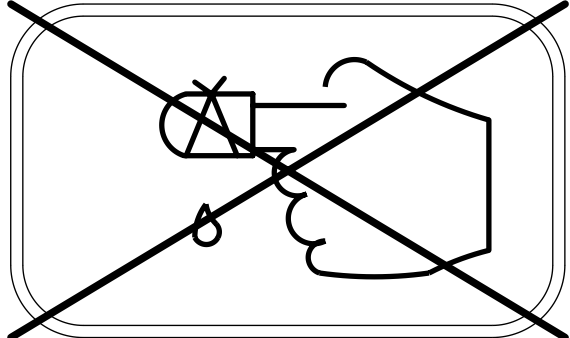
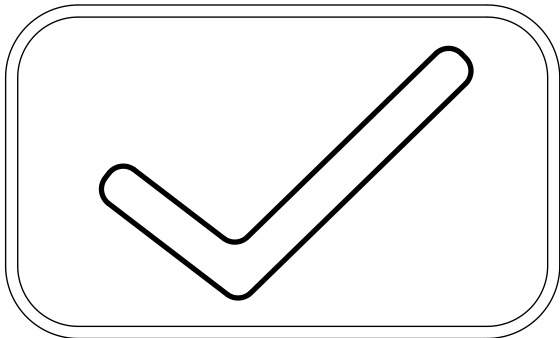
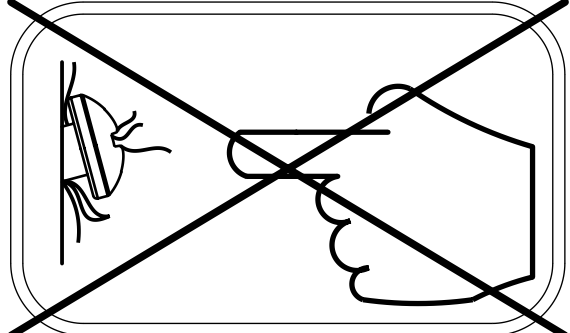
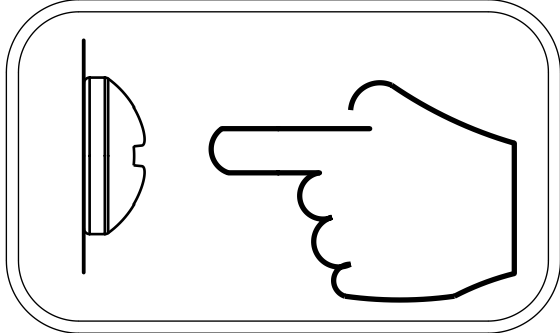
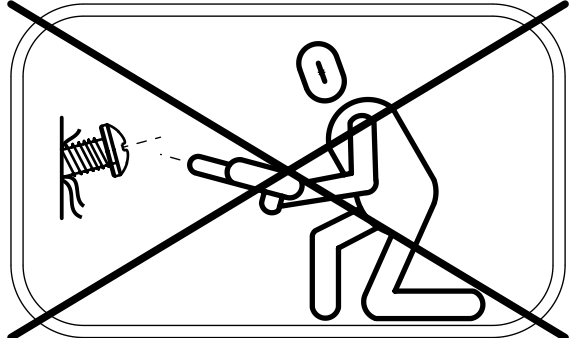
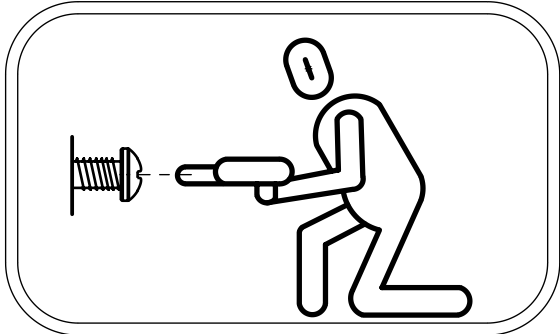


B233-3  
x2

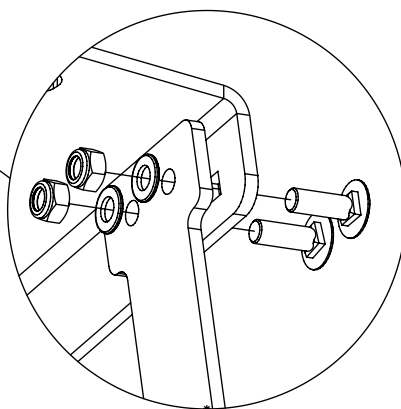
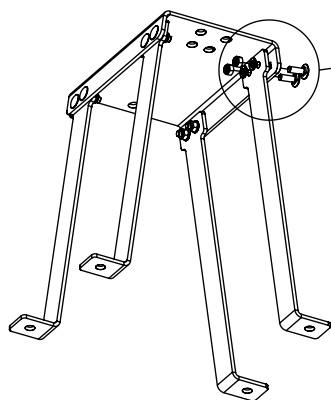


2x	SP1
4x	SP2
2x	SP3*
2x	SP11
1x	SP12
1x	SP27
3x	SP59
5x	SP66
2x	SP67
2x	SP69

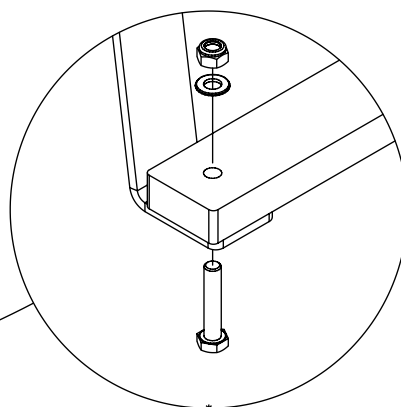
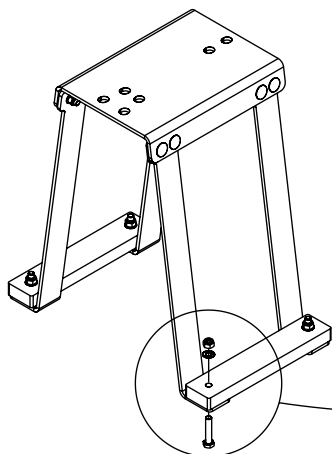
\*K17



**K17**

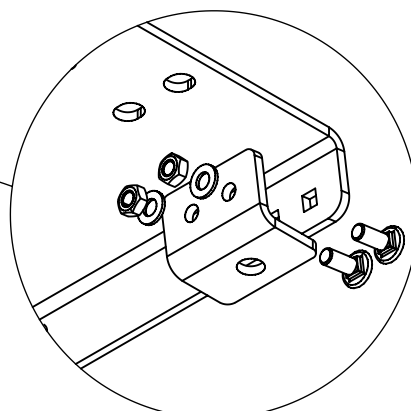
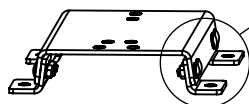


SP1 x2



SP3 x2

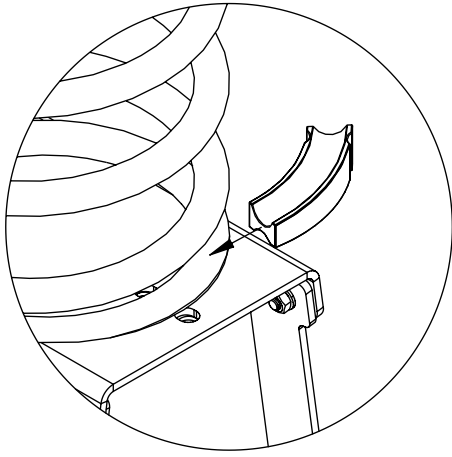
**K3**



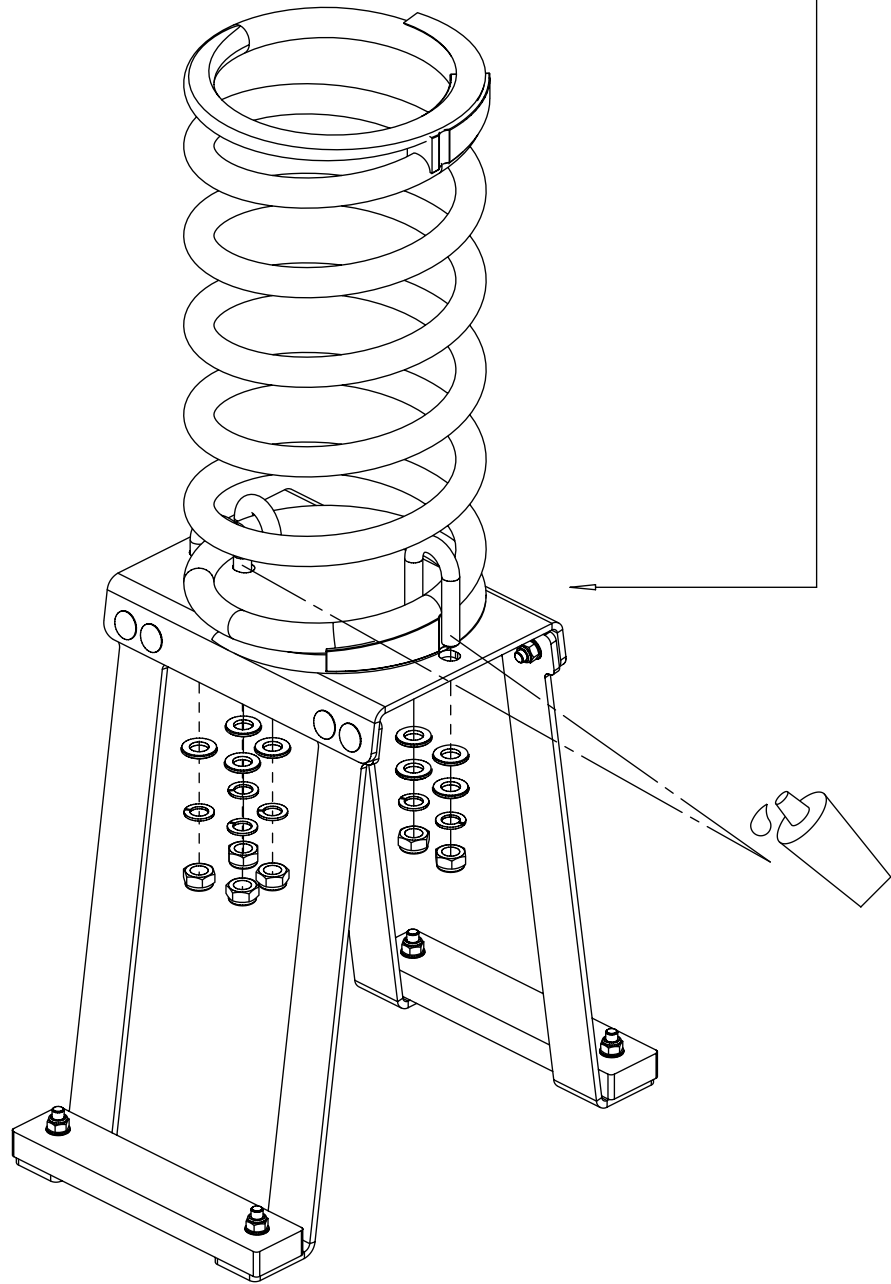
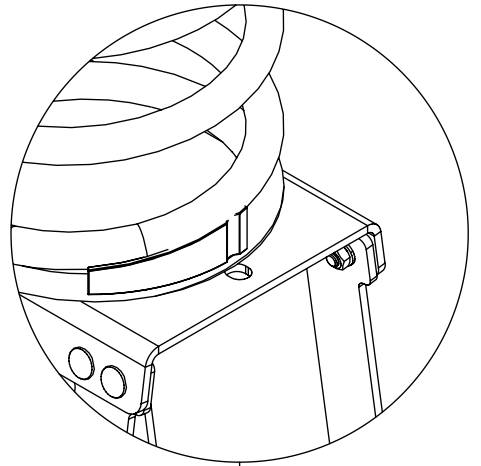
SP1 x2

[cm]



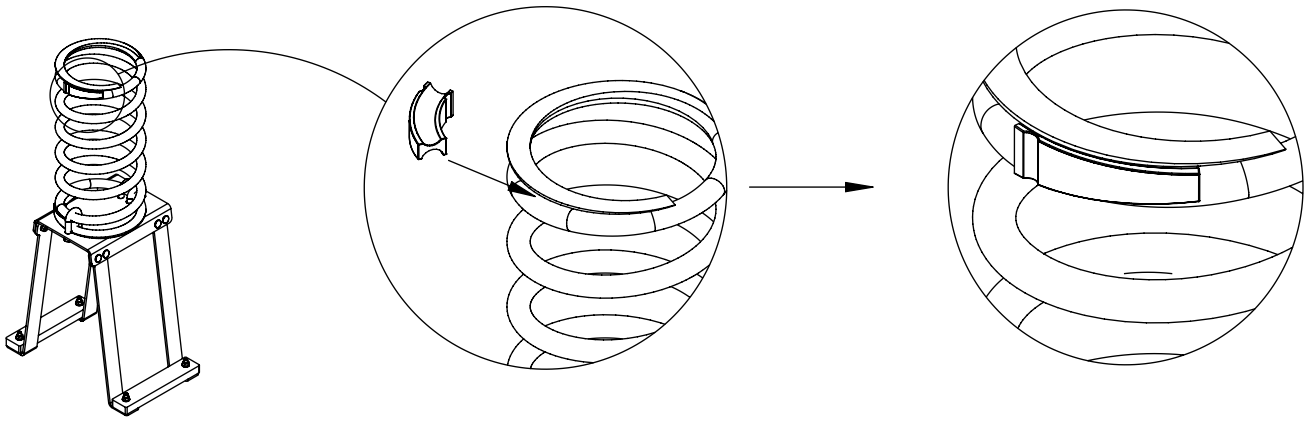


SP2 x2

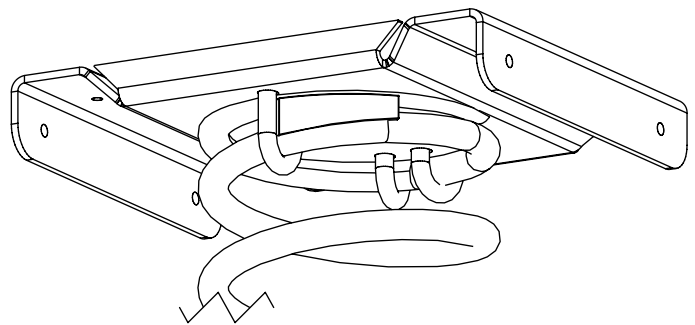
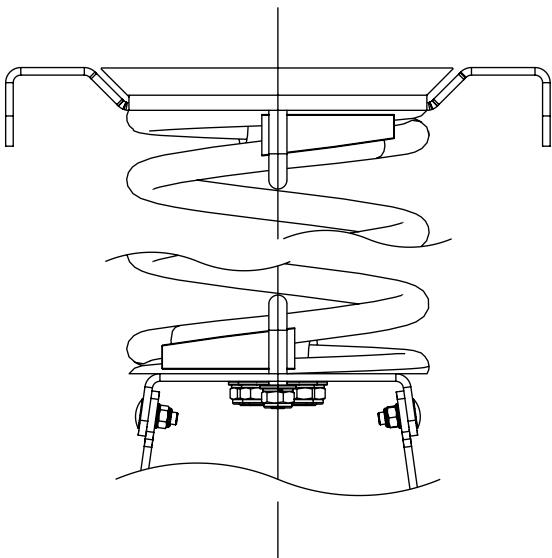
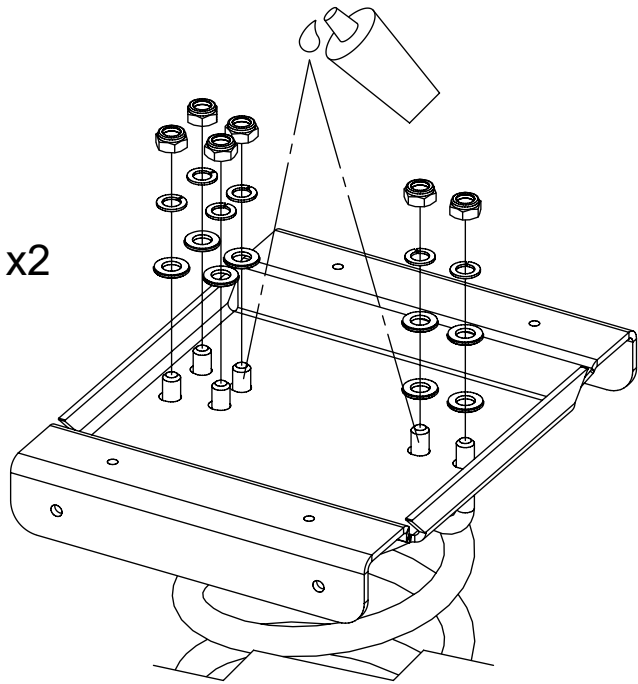


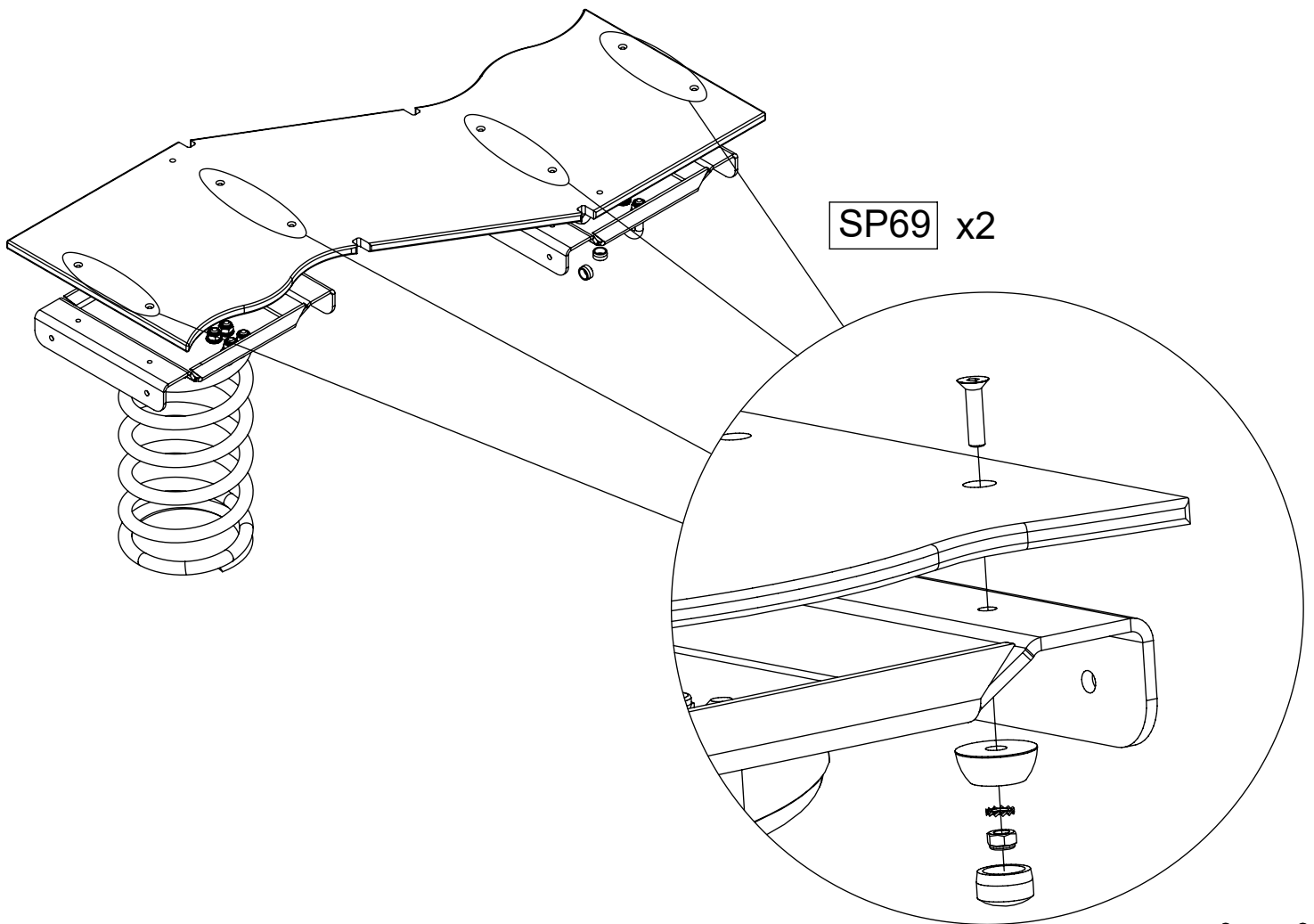
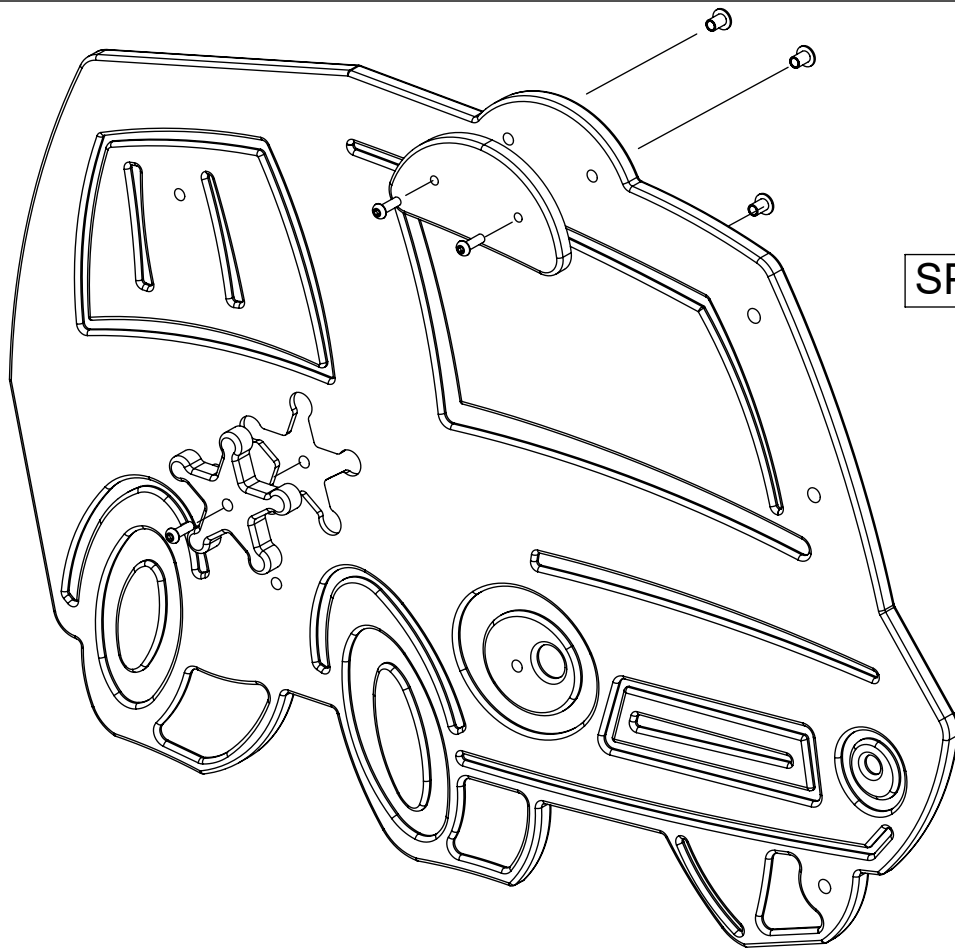
[cm]

vinci  
play



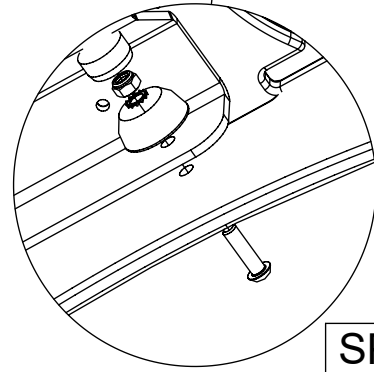
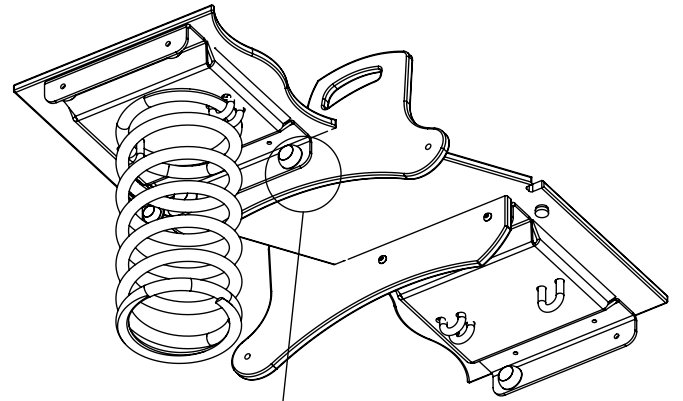
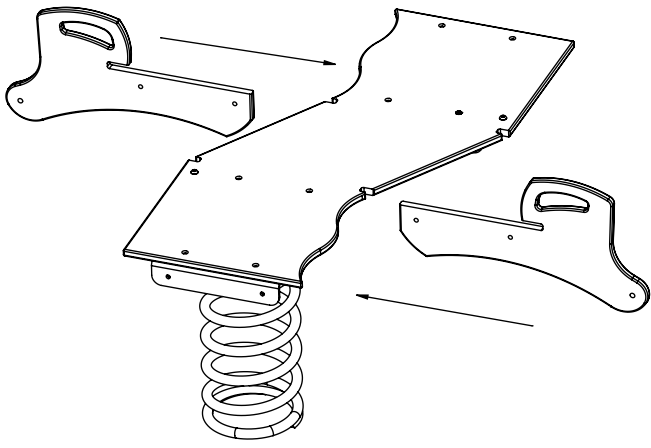
SP2 x2



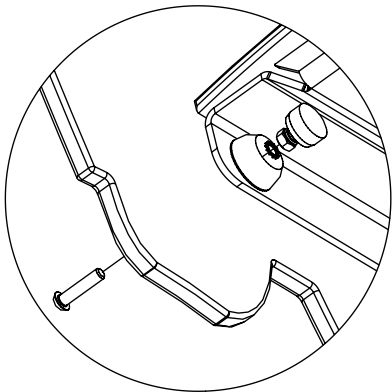


[cm]

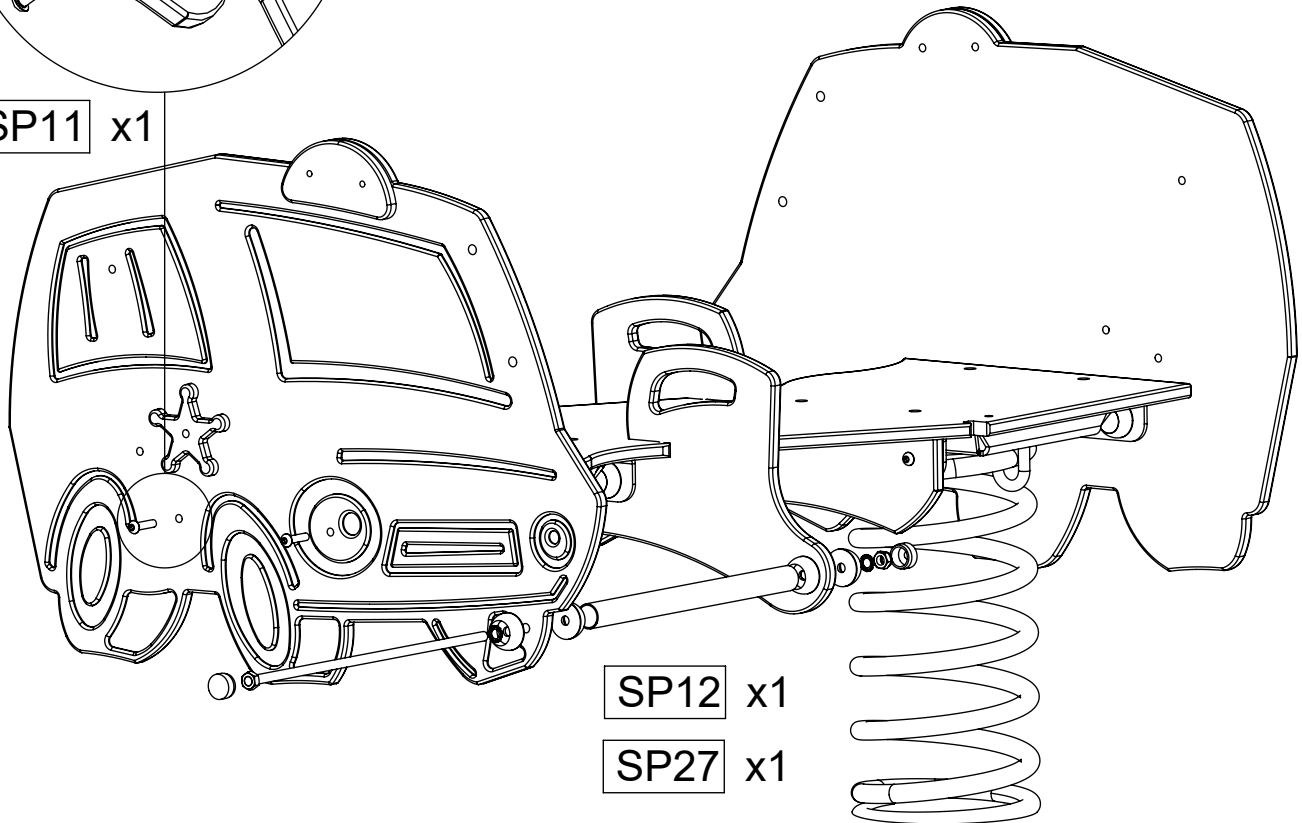
vinci  
play



SP11 x1



SP11 x1



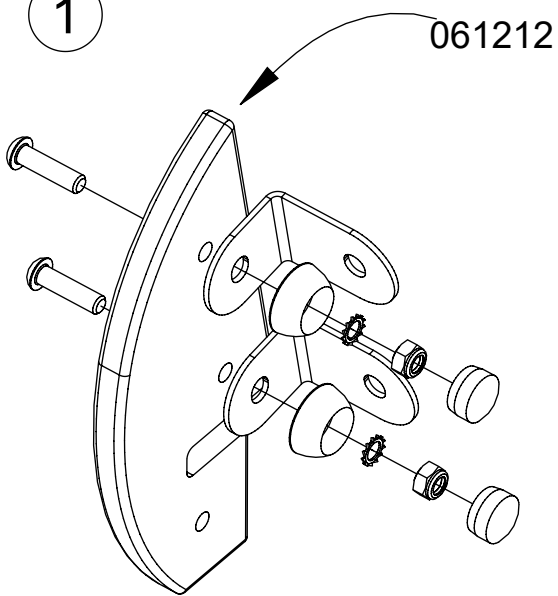
SP12 x1

SP27 x1

[cm]

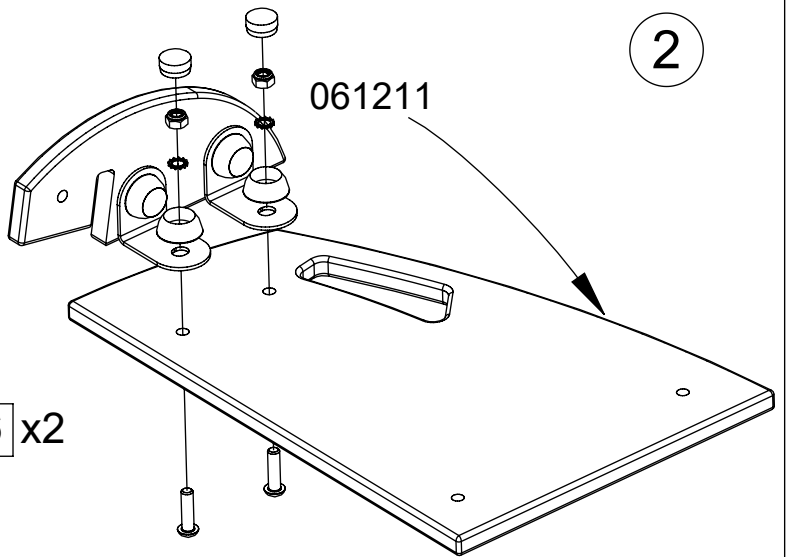
vinci  
play

1

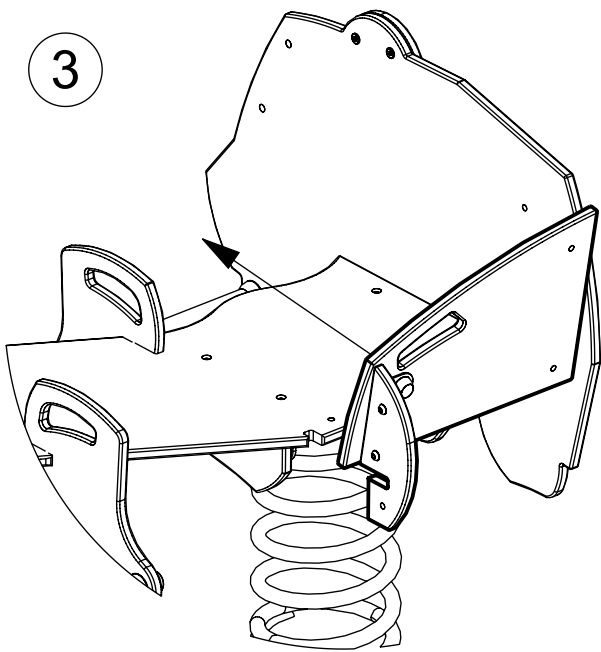


SP66 x2

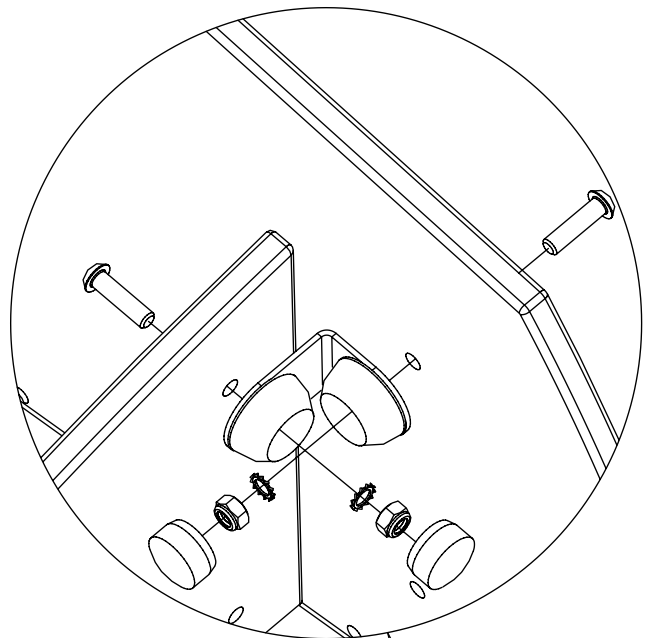
2



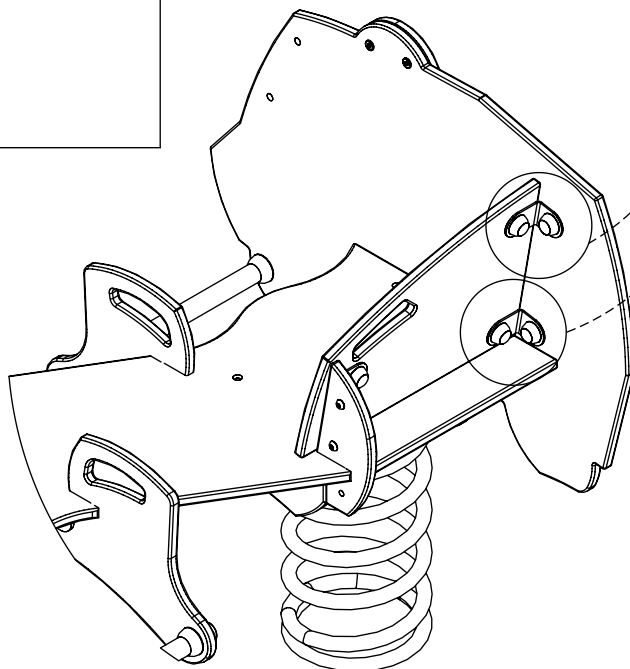
3



4

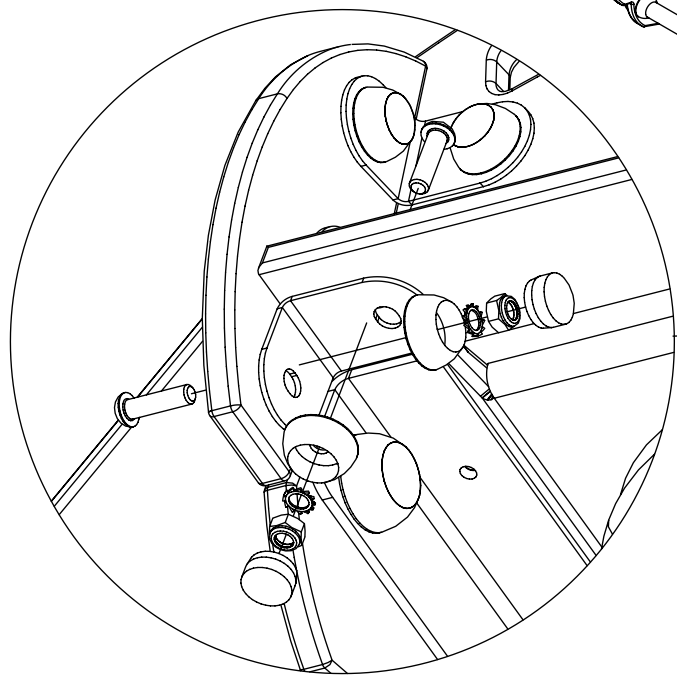


SP66 x2

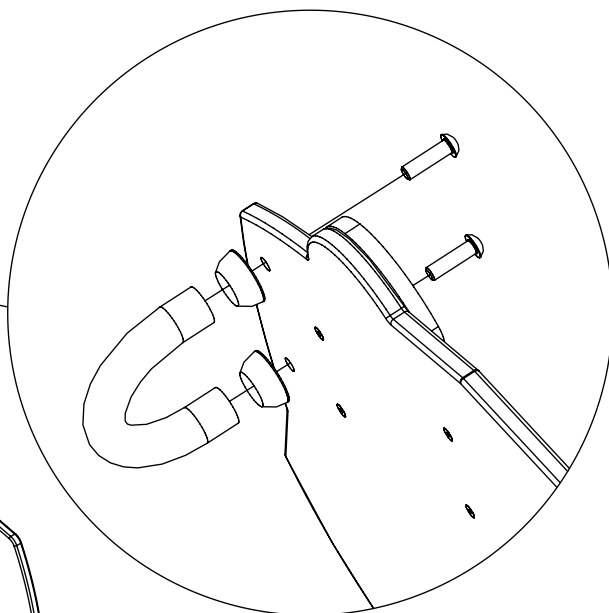
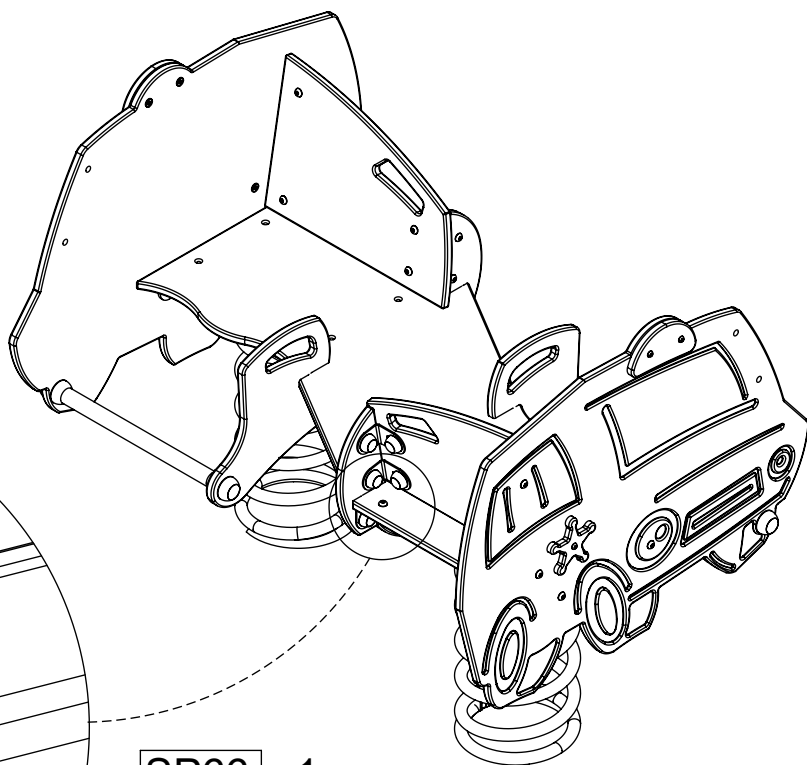


[cm]

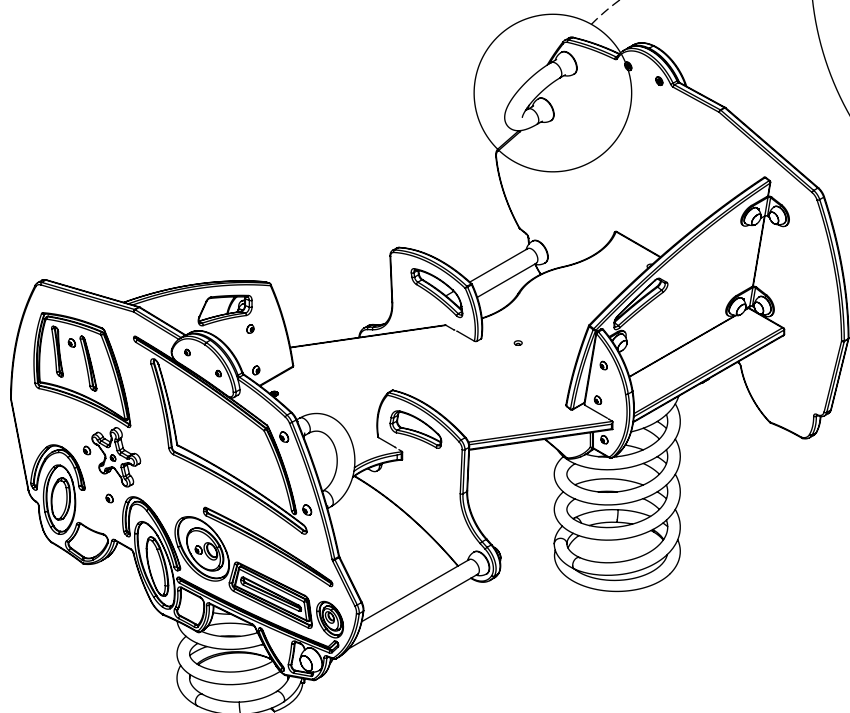
vinci play



SP66 x1



SP67 x2



[cm]